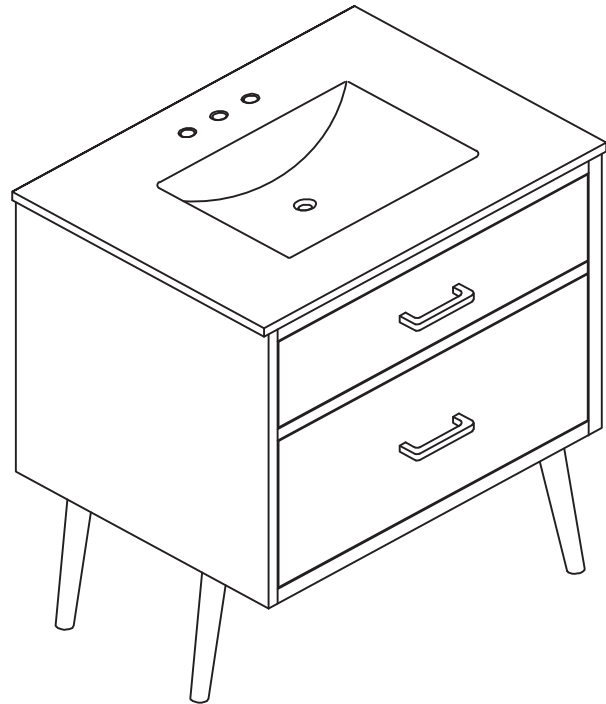


# ASSEMBLY INSTRUCTIONS

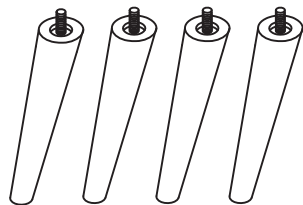
VF41036WH / VF41036WB / VF41036MBL  
VF41036MGN

**for free standing application**

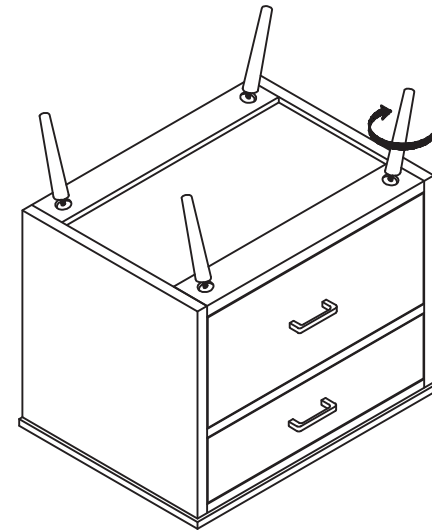


## Parts list

LEG x4



### Step 1



**warning: Use two people to lift the vanity. Upon turning over the vanity upright, do not allow pressure to apply to one single leg or one single side.**

### Finished

